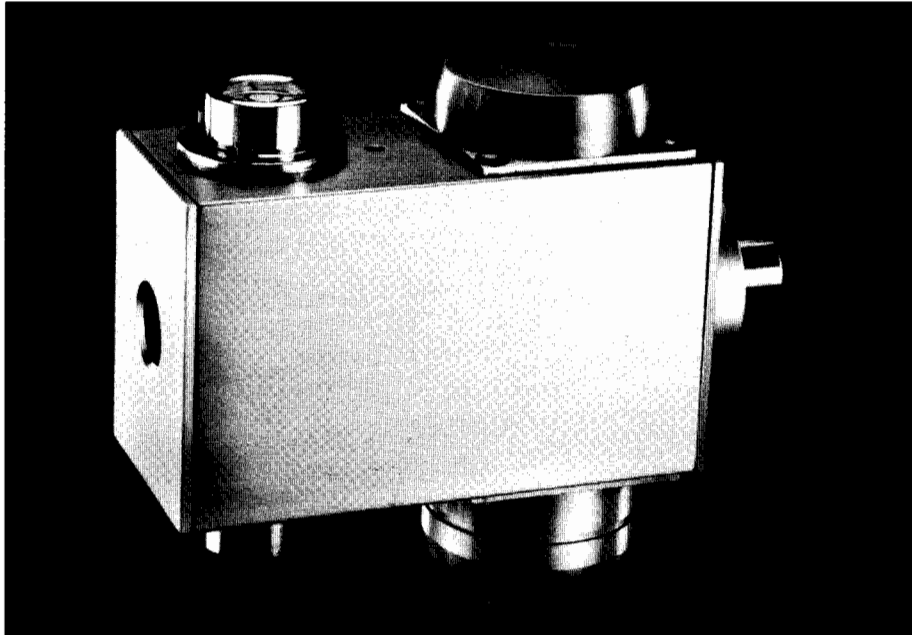


# MODEL T-261

## Four-Axis Simultaneous Target



### **Four-axis simultaneous capability**

The Model T-261 4-Axis Target reads horizontal and vertical centering and angular (pitch and yaw) information *simultaneously*, making alignment faster and simpler.

### **Live Display**

Used with Hamar Laser's computerized interface and software, the T-261 provides continuous, real-time information to a "live" graphic display that enables the user to see changes and adjustments *as they are made*.

### **Compatibility**

The T-261 can be used with all Hamar Laser readouts and interfaces, including the R-307 Readout and the R-355C Interface.

### **Target Acquisition Signalling**

When used with a Hamar readout, the T-261 signals contact with the laser beam by lighting an LED on the readout. When used with the computerized interface, the message "OFF TARGET" appears on the screen when contact with the laser beam is lost.

### **Built-in Levels**

Two levels, top and bottom, provide accuracy in positioning and taking readings.

### **Simple, Replaceable Mounting Stud**

The 1/2" diameter mounting stud simplifies fixture design and building. A .500" hole reamed square to a face is all that is needed to mount the target. The stud can also be easily removed and replaced with a custom mounting stud or fixture.

### **Versatility**

The T-261 target can be used for bore, spindle, lathe, and motor alignment, measurement, assembly, and much more. Hamar Laser has a range of fixtures available to adapt the T-261 to many different applications.

### **Accuracy**

The T-261 is factory-aligned to tight specifications. It is the most accurate Hamar Target, with an angular resolution of .0001"/foot. Used in conjunction with Hamar Laser alignment software, the target compensates for mounting and other errors for even greater accuracy.



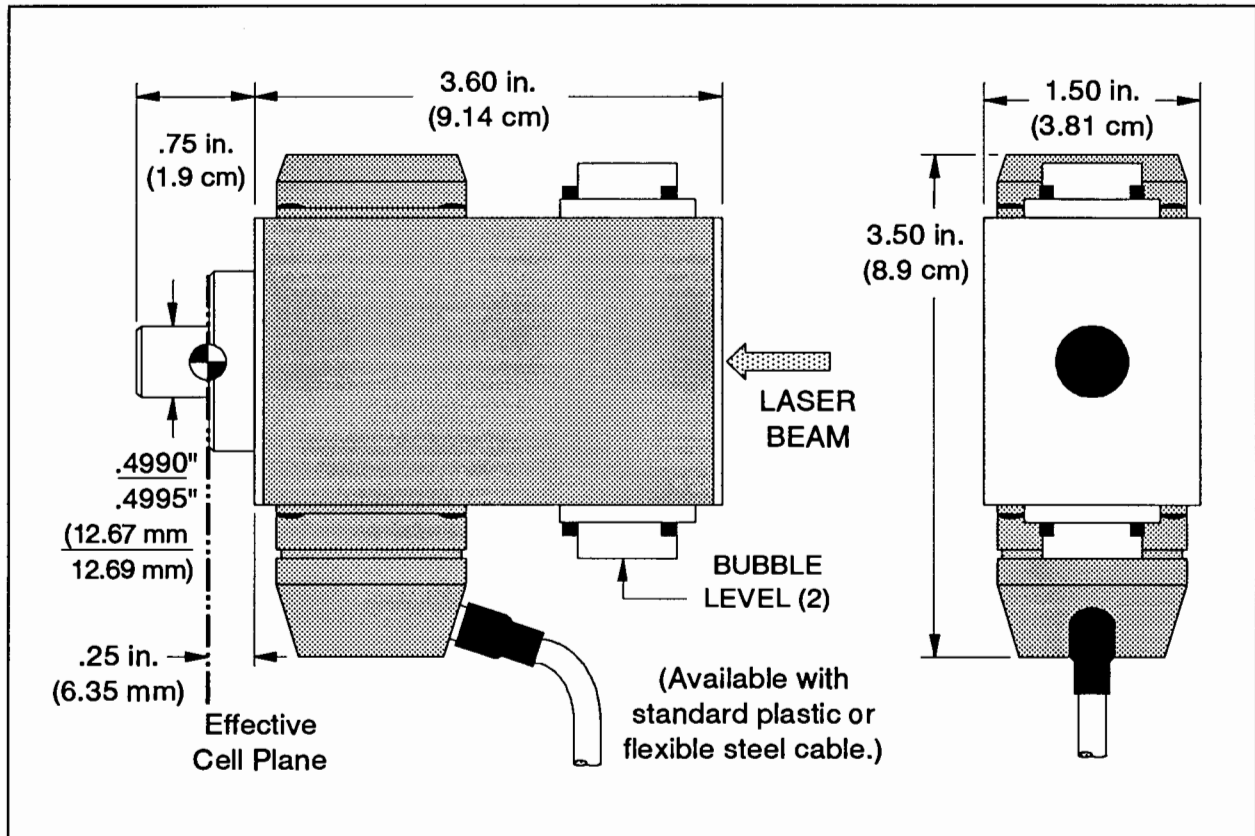
**HAMAR LASER INSTRUMENTS, INC.**

5 Ye Olde Road  
Danbury, CT 06810

Phone:(203)730-4600 Fax:(203)730-4611

## APPLICATIONS

1. Machine Tools
2. Lathe Alignment
3. Boring Bar Alignment
4. Printing Press Side Frames
5. Station Alignment
6. Bore Alignment/Measurement
7. Motor, Turbine, and Generator Shaft Alignment
8. Part and Assembly Alignment
9. Jigs and Fixtures
10. Aerospace Tooling and Fixturing
11. Pumps, Compressors, Blowers



## SPECIFICATIONS

<b>Size</b>	(See drawing, above)	<b>Target Cell Concentricity</b>	$\pm .0005"$ to mounting stud of target
<b>Mounting Dimensions</b>	.500" (12.7 mm) dia. concentric mounting stud, replaceable	<b>Lens Axis Squareness</b>	$\pm .0005"/\text{foot}$ (.042 mm/meter) to rear of target
<b>Weight</b>	14 oz. (400 g)	<b>Sensitivity</b>	.0001" (.0025 mm) Center .0001"/ft (.008 mm/M) Angle
<b>Material</b>	Mounting Stud: 440C Stainless Rockwell RC54-58 hardness Case: Aluminum	<b>Range</b>	$\pm .050"$ (1.27 mm) Center $\pm 0.5$ degrees Angle
<b>Cable</b>	Length: 10 feet (3.05 meters) Connector: 15-pin D connector	<b>Linearity</b>	Within 5% of reading

U.S. and foreign patented and/or patents pending.  
Made in the USA.

**HAMAR LASER INSTRUMENTS, INC.**

5 Ye Olde Road  
Danbury, CT 06810  
Phone:(203)730-4600 Fax:(203)730-4611